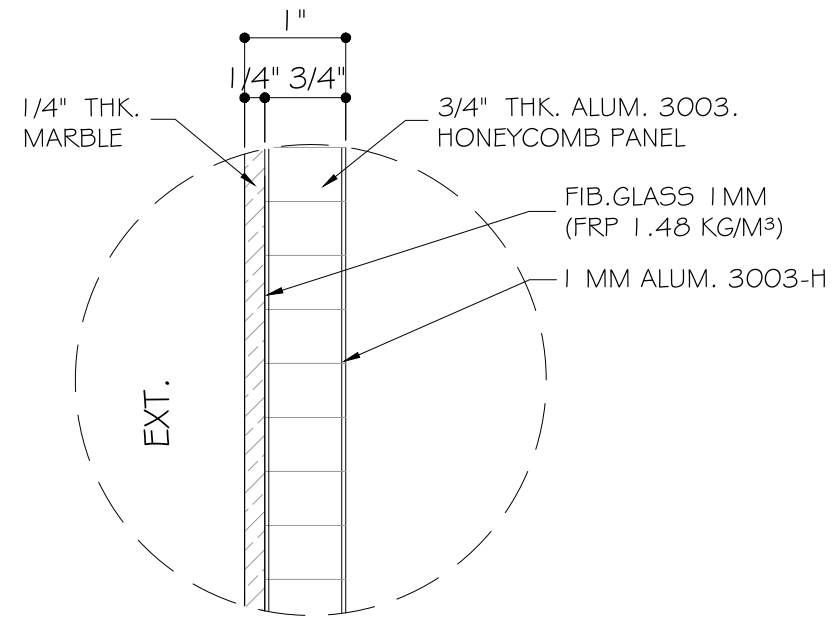


LIGHT WEIGHT STONE PANEL SYSTEM

LARGE AND SMALL MISSILE IMPACT (LMI & SMI)



MARBLE DETAIL

1" NOMINAL OVERALL

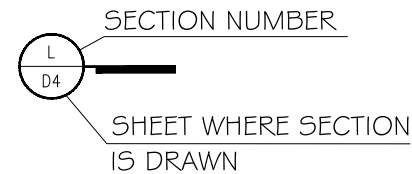
WEIGHT OF PANEL: 3.8 LB /SQ FT

GENERAL NOTES:

- THIS SYSTEM IS RATED FOR LARGE & SMALL MISSILE IMPACT.
- THIS PRODUCT HAS BEEN DESIGNED AND TESTED TO COMPLY WITH THE REQUIREMENTS OF THE FLORIDA BUILDING CODE 6TH EDITION (2017) INCLUDING HIGH VELOCITY HURRICANE ZONE (HVHZ).
- ANCHORS SHALL BE AS LISTED, CORROSION RESISTANT, SPACED AS SHOWN ON DETAILS. AND INSTALLED PER MANUF'S INSTRUCTIONS. ANCHORS EMBEDMENT TO BASE MATERIAL SHALL BE BEYOND WALL DRESSING OR STUCCO.
- ALL SHIMS TO BE HIGH IMPACT, NON-METALLIC AND NON-COMPRESSIBLE.
- ANCHORING OR LOADING CONDITIONS NOT SHOWN IN THESE DETAILS ARE NOT PART OF THIS APPROVAL.
- MATERIALS INCLUDING BUT NOT LIMITED TO STEEL/METAL SCREWS THAT COME INTO CONTACT WITH OTHER DISSIMILAR MATERIALS SHALL MEET THE REQUIREMENTS OF THE FLORIDA BUILDING CODE 6TH EDITION (2017) SECTION A5 APPLICABLE.
- METAL STRUCTURES NOT BY FANTASY MARBLE PRODUCTS, INC. DESIGNED TO SUPPORT THE LOADS IMPOSED BY THIS GLAZING SYSTEM AND TO TRANSFER SUCH LOADS TO THE BUILDING MAIN STRUCTURE.
- THE DESIGN LOADS SHOWN IN THIS DOCUMENT ARE ALLOWABLE DESIGN LOADS. ULTIMATE LOAD OBTAINED FROM ASCE 7-10, MULTIPLY BY 0.6 SHALL BE LESS THAN OR EQUAL TO MAX. DESIGN LOAD IN THIS DOCUMENT.

ABBREVIATIONS AND SYMBOLS

- D.L.O. - DAYLITE OPENING
- F.H. - FRAME HEIGHT
- F.W. - FRAME WIDTH
- W - WITH
- W/O - WITHOUT
- O.C. - ON CENTER
- SGD - SLIDING GLASS DOOR
- H.R. - HEAD RECEPTOR
- AVE. - AVERAGE

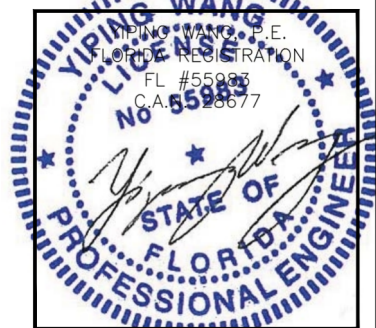


LIMITATIONS OF USE

- A- THIS PRODUCT EVALUATION DOCUMENT (P.E.D.) PREPARED BY THIS ENGINEER IS GENERIC AND DOES NOT PROVIDE INFORMATION FOR A SITE SPECIFIC PROJECT; i.e. WHERE THE SITE CONDITIONS DEVIATE FROM THE P.E.D.
- B- CONTRACTOR TO BE RESPONSIBLE FOR THE SELECTION, PURCHASE AND INSTALLATION OF THIS PRODUCT BASED ON THIS PRODUCT EVALUATION PROVIDED HE/SHE DOES NOT DEVIATE FROM THE CONDITIONS DETAILED ON THIS DOCUMENT.
- C- THIS PRODUCT EVALUATION DOCUMENT WILL BE CONSIDERED INVALID IF ALTERED BY ANY MEANS.
- D- SITE SPECIFIC PROJECTS SHALL BE PREPARED BY A FLORIDA REGISTERED ENGINEER OR ARCHITECT WHICH WILL BECOME THE ENGINEER OF RECORD (E.O.R.) FOR THE PROJECT AND WHO WILL BE RESPONSIBLE FOR THE PROPER USE OF THE P.E.D.
- E- THIS P.E.D. SHALL BEAR THE DATE AND ORIGINAL SEAL AND SIGNATURE OF THE PROFESSIONAL ENGINEER OF RECORD THAT PREPARED IT.

FLORIDA APPROVAL:

FL#30785.1

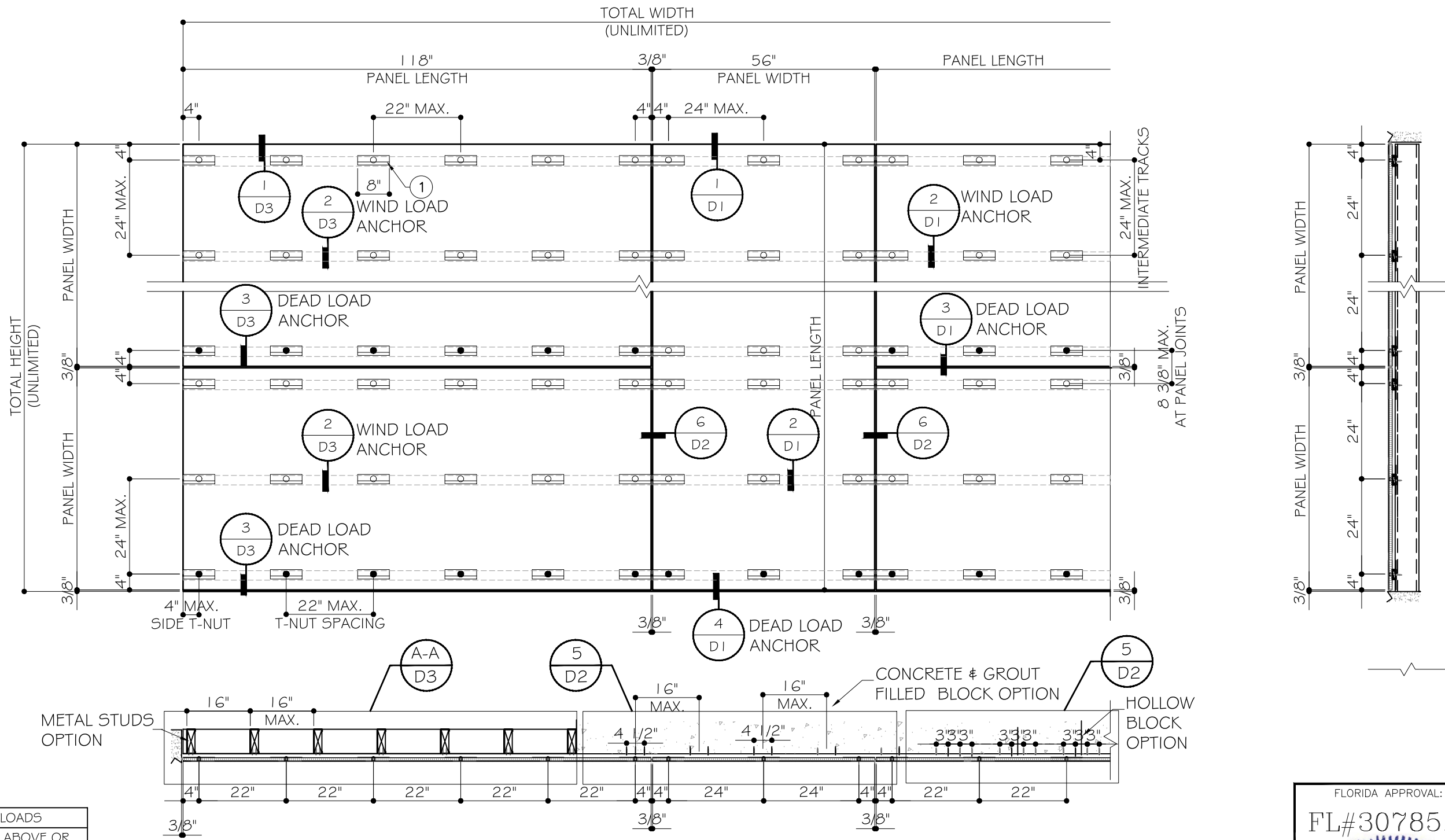


MCY ENGINEERING, INC.
GLAZING CONSULTANTS
12781 MIRAMAR PARKWAY #301
MIRAMAR, FL. 33027 P: 786.360.2786
www.MCYEngineering.com MCY@mcyengineering.com



PANELS SYSTEM - L.M.I. & S.M.I.
FANTASY MARBLE LLC
400 SW 12 AVE BAY 5, POMPANO BEACH, FL 33069
TEL. (954) 788-0433 FAX. (954) 788-0087

Rev. No.	Date	Drawn By	Description

Drawn Date	Scale
10/30/2019	
DRAWING NO.	
AD19-23	
COVER	
Sheet No.	
01 OF 07	



MAX. DESIGN LOADS	
(FOR SIZE SHOWN ABOVE OR SMALLER AS PERMITTED BY FBC)	
+140 PSF	
-140 PSF	

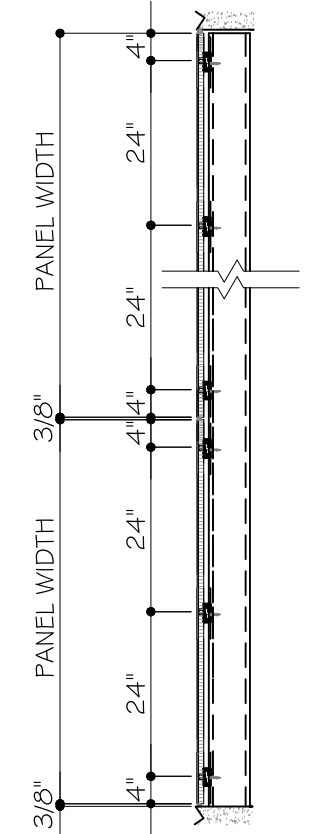
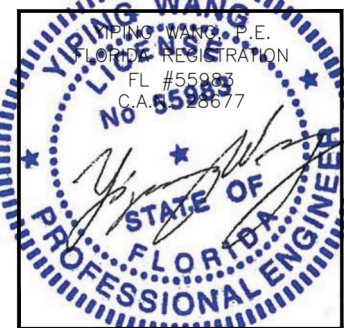
-  WIND LOAD ANCHOR
-  DEAD LOAD ANCHOR

NOTE: SUBSTRATE SHOWN FOR DEMONSTRATION ONLY

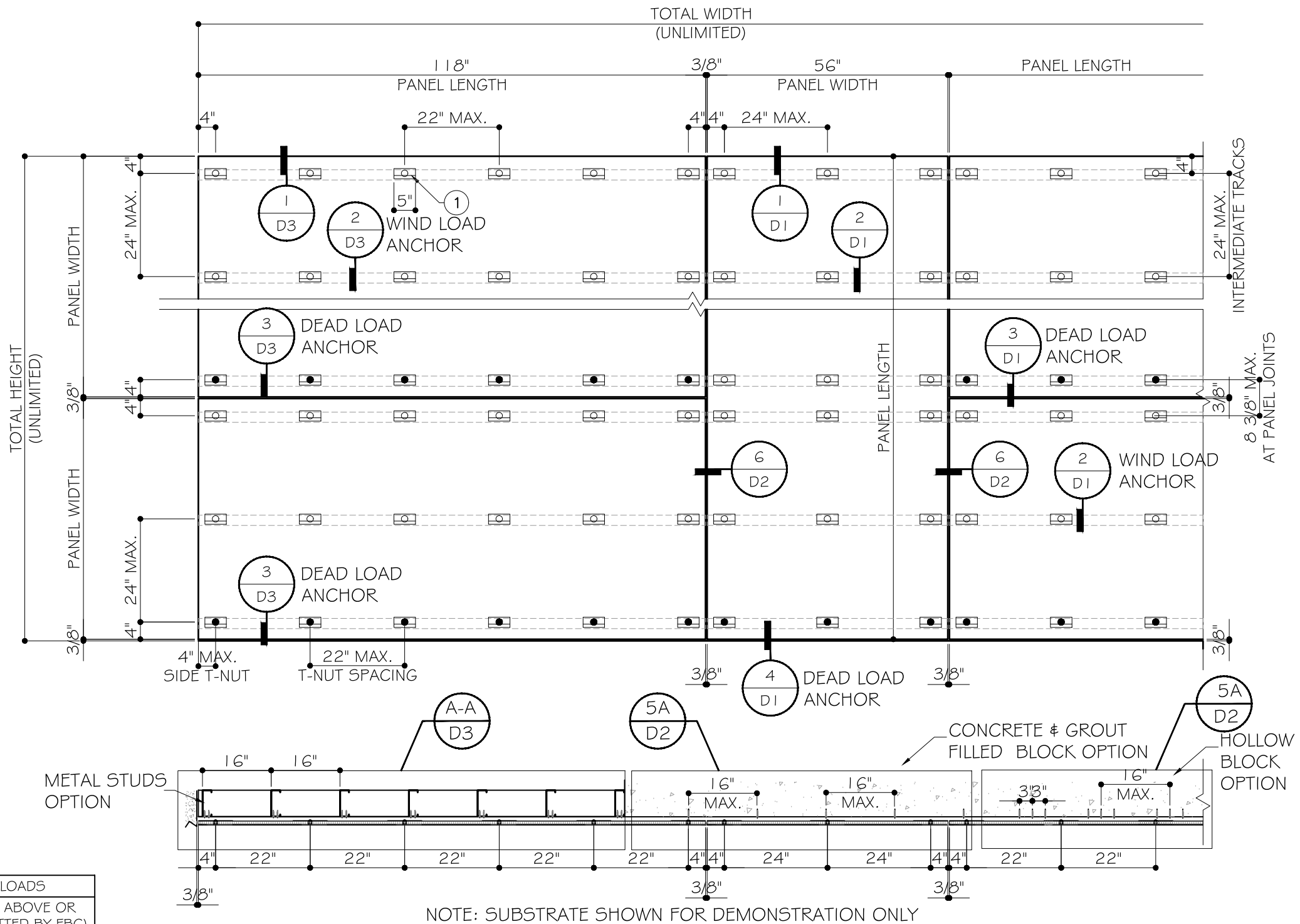
TYPICAL EXTERIOR ELEVATION

- NOTE:
1. WIDTH AND LENGTH DIMENSIONS CAN BE ORIENTED VERTICALLY AND HORIZONTALLY AS SHOWN ABOVE.
 2. MAX. PANEL AREA = 118"(PANEL WIDTH) X 56"(PANEL LENGTH)
 3. MAX. INTERIOR TRACKING (HORIZONTAL) = 24" O.C.
 4. MAX. T-NUT SPACING = 24" O.C.
 5. MAX. DEAD LOAD ON EACH T-NUT NOT TO EXCEED 85 LBF

FLORIDA APPROVAL:
FL#30785.1



Drawn By	
Date	
Rev. No.	
Drawn Date	10/30/2019
Scale	
DRAWING NO. AD19-23	
E1	
Sheet No. 02 OF 07	



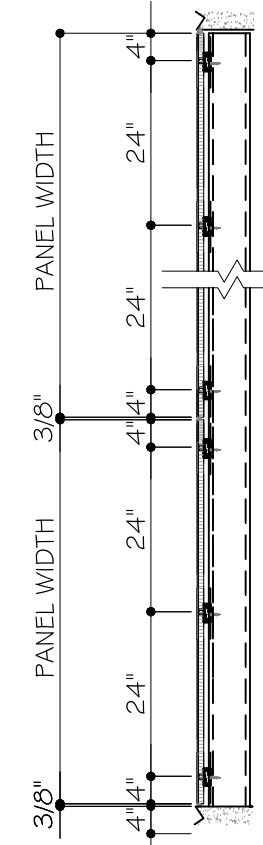
MAX. DESIGN LOADS	
(FOR SIZE SHOWN ABOVE OR SMALLER AS PERMITTED BY FBC)	
+90 PSF	
-90 PSF	

- WIND LOAD ANCHOR
- DEAD LOAD ANCHOR

TYPICAL EXTERIOR ELEVATION

- NOTE:
1. WIDTH AND LENGTH DIMENSIONS CAN BE ORIENTED VERTICALLY AND HORIZONTALLY AS SHOWN ABOVE.
 2. MAX. PANEL AREA = 118"(PANEL WIDTH) X 56"(PANEL LENGTH)
 3. MAX. INTERIOR TRACKING (HORIZONTAL) = 24" O.C.
 4. MAX. T-NUT SPACING = 24" O.C.
 5. MAX. DEAD LOAD ON EACH T-NUT NOT TO EXCEED 85 LBF

NOTE: SUBSTRATE SHOWN FOR DEMONSTRATION ONLY



FLORIDA APPROVAL:
FL#30785.1

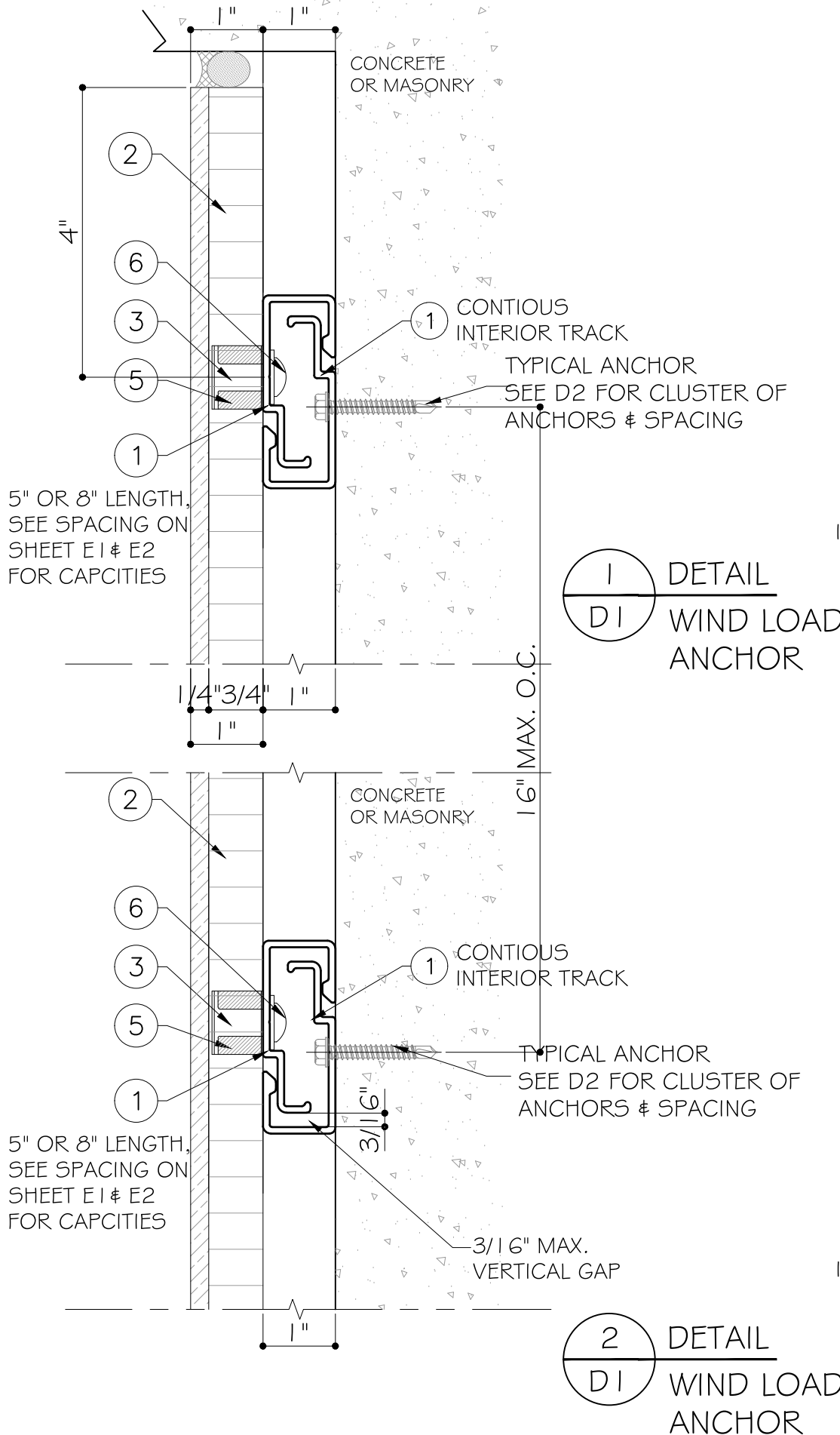
MCY ENGINEERING, INC.
GLAZING CONSULTANTS
12781 MIRAMAR PARKWAY #301
MIRAMAR, FL 33027 P: 786.360.2786
www.MCYengineering.com MCY@mcyengineering.com

PANELS SYSTEM - L.M.I. & S.M.I.
FANTASY MARBLE LLC
400 SW 12 AVE BAY 5, POMPANO BEACH, FL 33069
TEL. (954) 788-0433 FAX. (954) 788-0087

Rev. No.	Date	Drawn By	Description

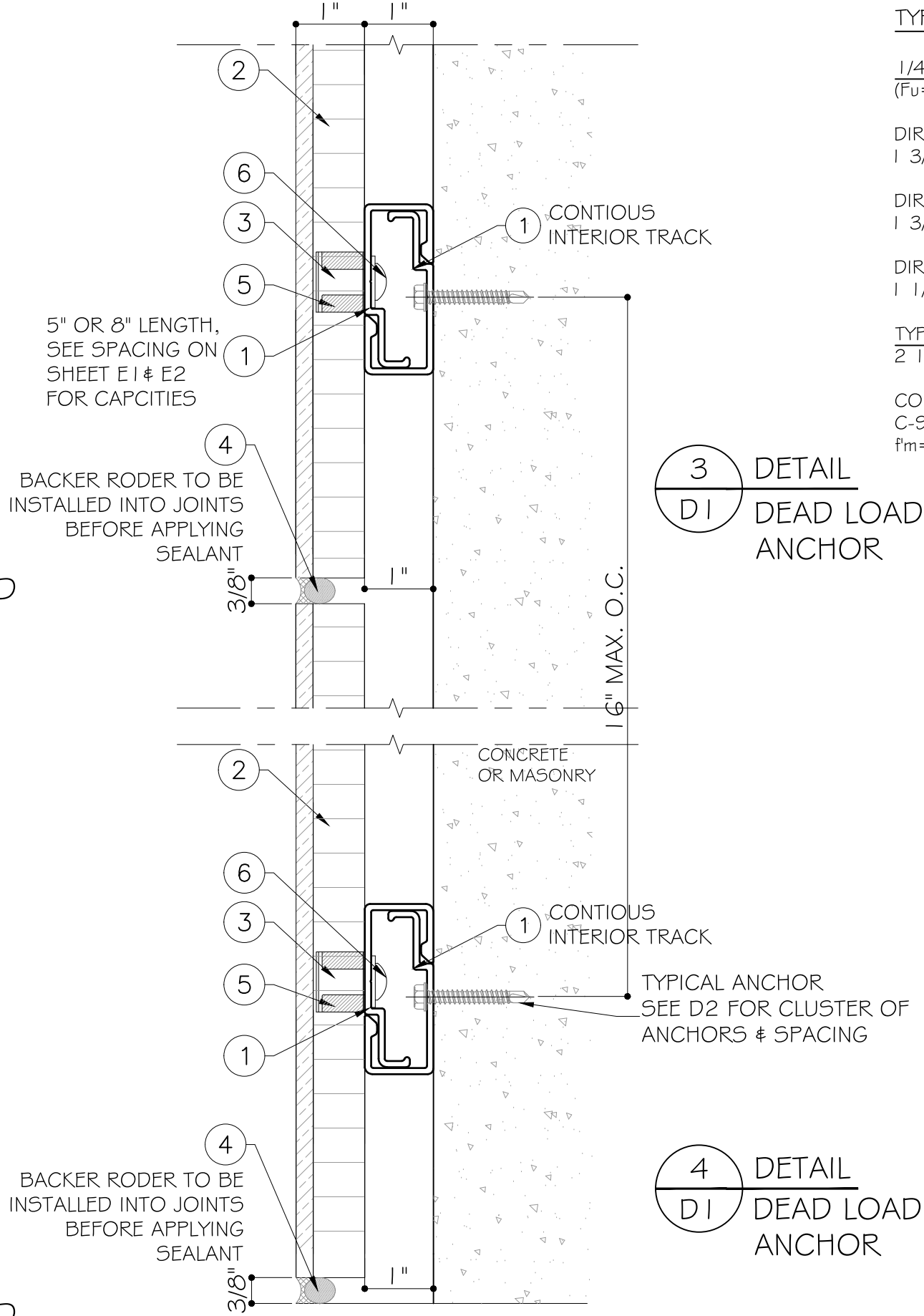
Drawn Date	Scale
10/30/2019	
DRAWING NO.	
AD19-23	
E2	
Sheet No.	
03 OF 07	

INSTALLATIONS AT CONCRETE/CONCRETE BLOCK STRUCTURES



1
DETAIL
DI WIND LOAD ANCHOR

2
DETAIL
DI WIND LOAD ANCHOR



3
DETAIL
DI DEAD LOAD ANCHOR

4
DETAIL
DI DEAD LOAD ANCHOR

TYPICAL ANCHORS:

1/4" DIA. ULTRACON BY 'ELCO'
(Fu=177 KSI, Fy=155 KSI)

DIRECTLY INTO CONCRETE
1 3/4" MIN. EMBED

DIRECTLY INTO GROUT FILLED BLOCK
1 3/4" MIN. EMBED

DIRECTLY INTO HOLLOW BLOCK
1 1/4" MIN. EMBED

TYPICAL EDGE DISTANCE
2 1/2" MIN. EDGE DISTANCE FOR ALL

CONCRETE f'c=3000 PSI MIN.
C-90 HOLLOW/FILLED BLOCK
f'm=2000 PSI MIN.

MCY ENGINEERING, INC.
GLAZING CONSULTANTS
12781 MIRAMAR PARKWAY #301
MIRAMARZ, FL. 33027 P. 786.360.2786
www.MCYEngineering.com MCY@mcycengineering.com

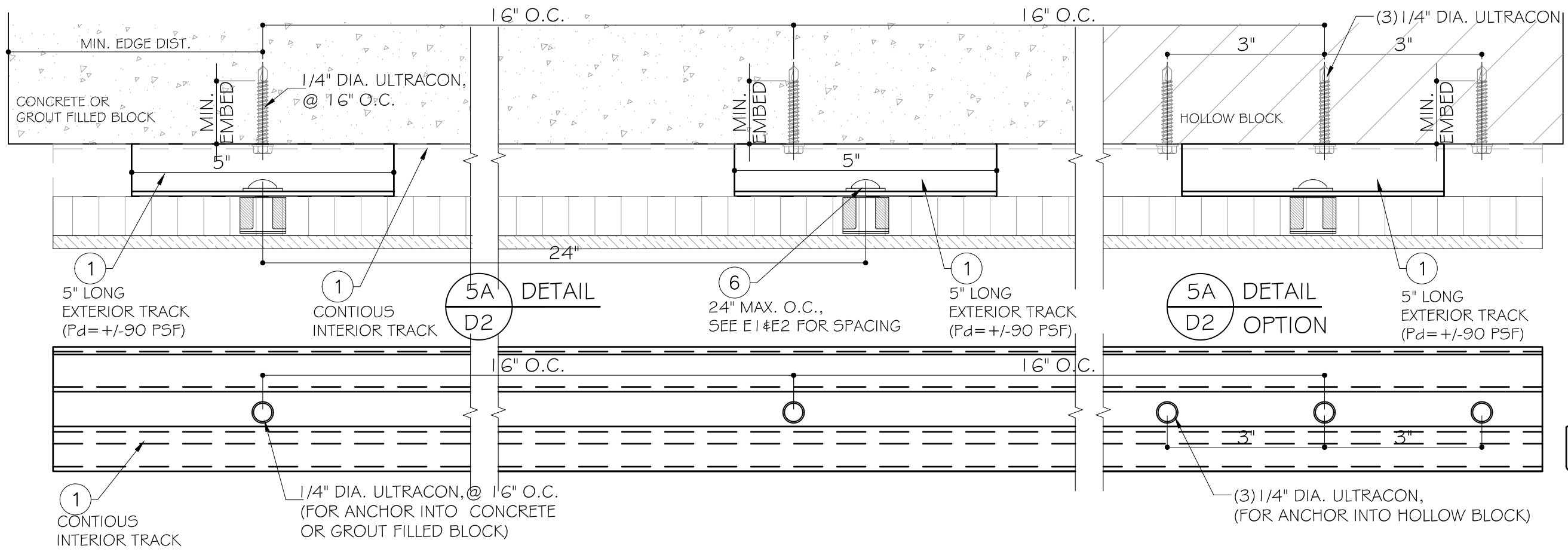
PANELS SYSTEM - L.M.I. & S.M.I.
FANTASY MARBLE LLC
400 SW 12 AVE BAY 5, POMPANO BEACH, FL 33069
TEL. (954) 788-0433 FAX. (954) 788-0087

FLORIDA APPROVAL:
FL#30785.1

YIPING WANG
YIPING WANG, P.E.
LICENSE REGISTRATION
FL #55983
C.A. 26677
STATE OF FLORIDA
PROFESSIONAL ENGINEER

Rev. No.	Date	Drawn By	Description

Drawn Date 10/30/2019	Scale
DRAWING NO. AD19-23	
Sheet No. 04 OF 07	



① 5" LONG EXTERIOR TRACK (Pd= +/-90 PSF)

① CONTIOUS INTERIOR TRACK

5A
D2
DETAIL

⑥ 24" MAX. O.C., SEE E1 & E2 FOR SPACING

① 5" LONG EXTERIOR TRACK (Pd= +/-90 PSF)

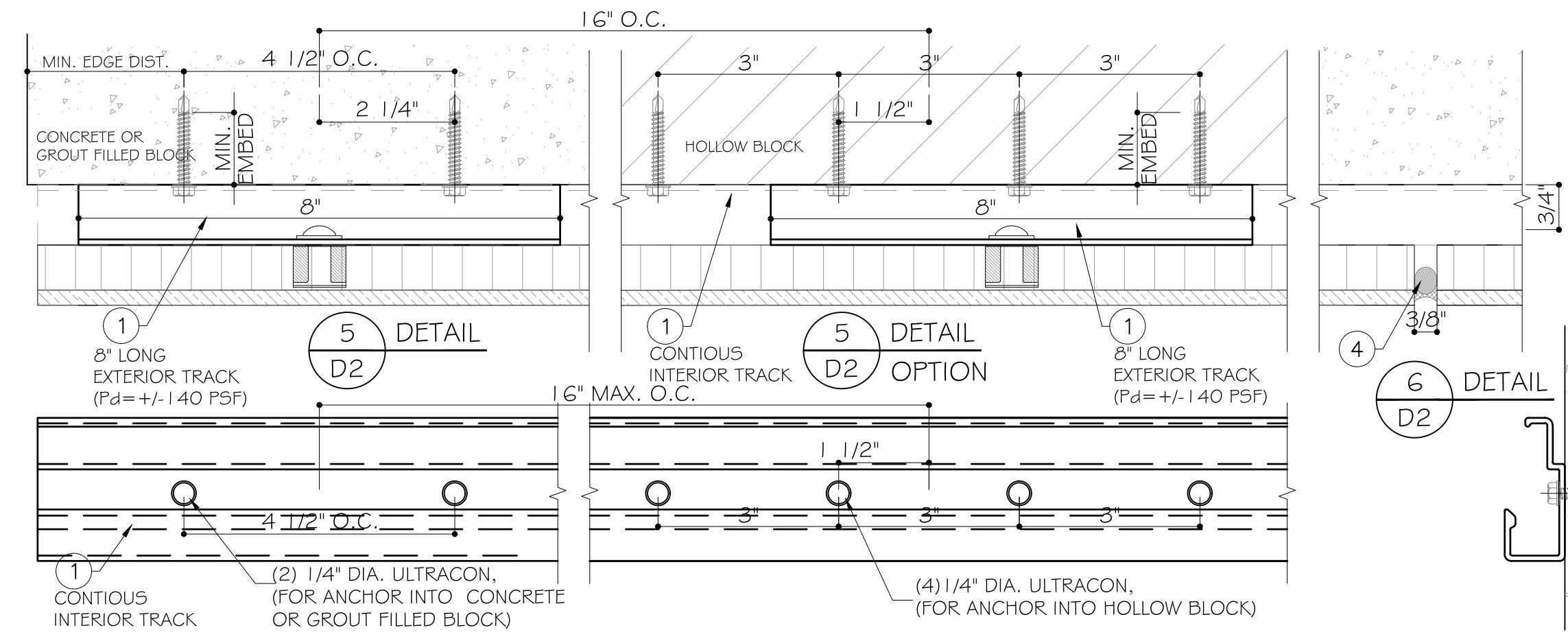
5A
D2
OPTION

① 5" LONG EXTERIOR TRACK (Pd= +/-90 PSF)

① CONTIOUS INTERIOR TRACK

1/4" DIA. ULTRACON, @ 16" O.C. (FOR ANCHOR INTO CONCRETE OR GROUT FILLED BLOCK)

(3) 1/4" DIA. ULTRACON, (FOR ANCHOR INTO HOLLOW BLOCK)



① 8" LONG EXTERIOR TRACK (Pd= +/-140 PSF)

5
D2
DETAIL

① CONTIOUS INTERIOR TRACK

5
D2
OPTION

① 8" LONG EXTERIOR TRACK (Pd= +/-140 PSF)

6
D2
DETAIL

① CONTIOUS INTERIOR TRACK

(2) 1/4" DIA. ULTRACON, (FOR ANCHOR INTO CONCRETE OR GROUT FILLED BLOCK)

(4) 1/4" DIA. ULTRACON, (FOR ANCHOR INTO HOLLOW BLOCK)

FLORIDA APPROVAL:
FL#30785.1



MCY ENGINEERING, INC.
GLAZING CONSULTANTS
12781 MIRAMAR PARKWAY #301
MIRAMAR, FL 33027 P: 786.360.2786
www.MCYEngineering.com MCY@mcyengineering.com

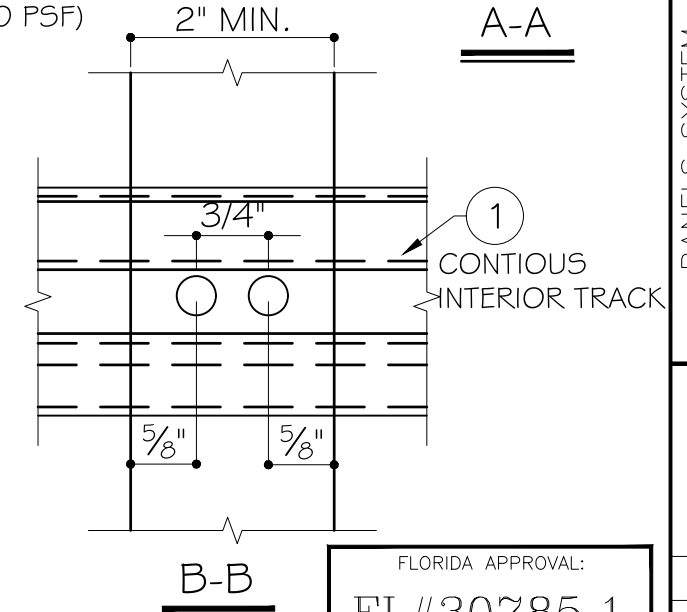
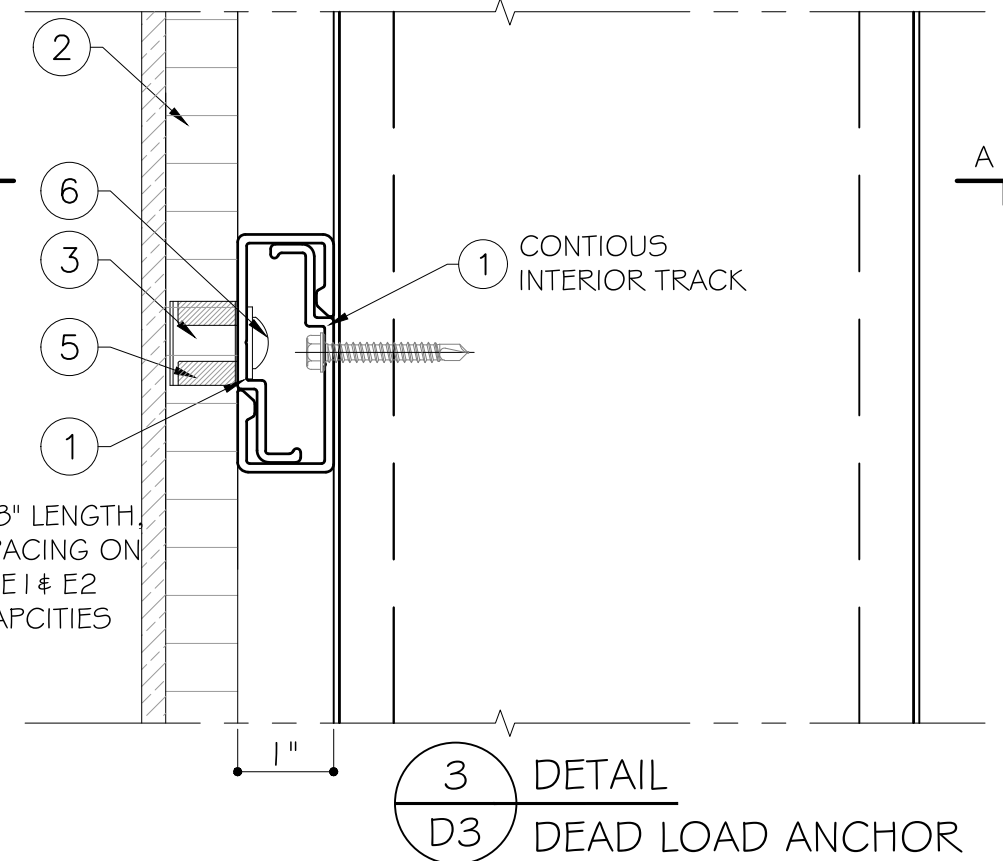
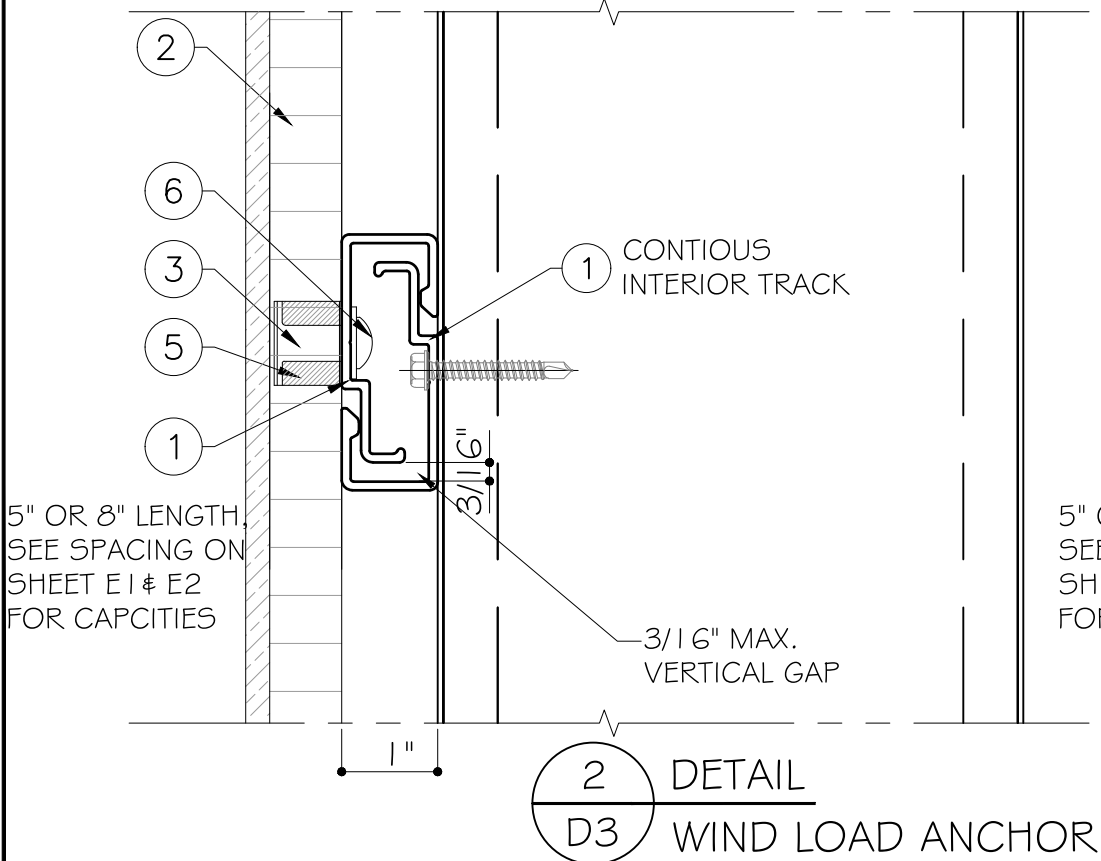
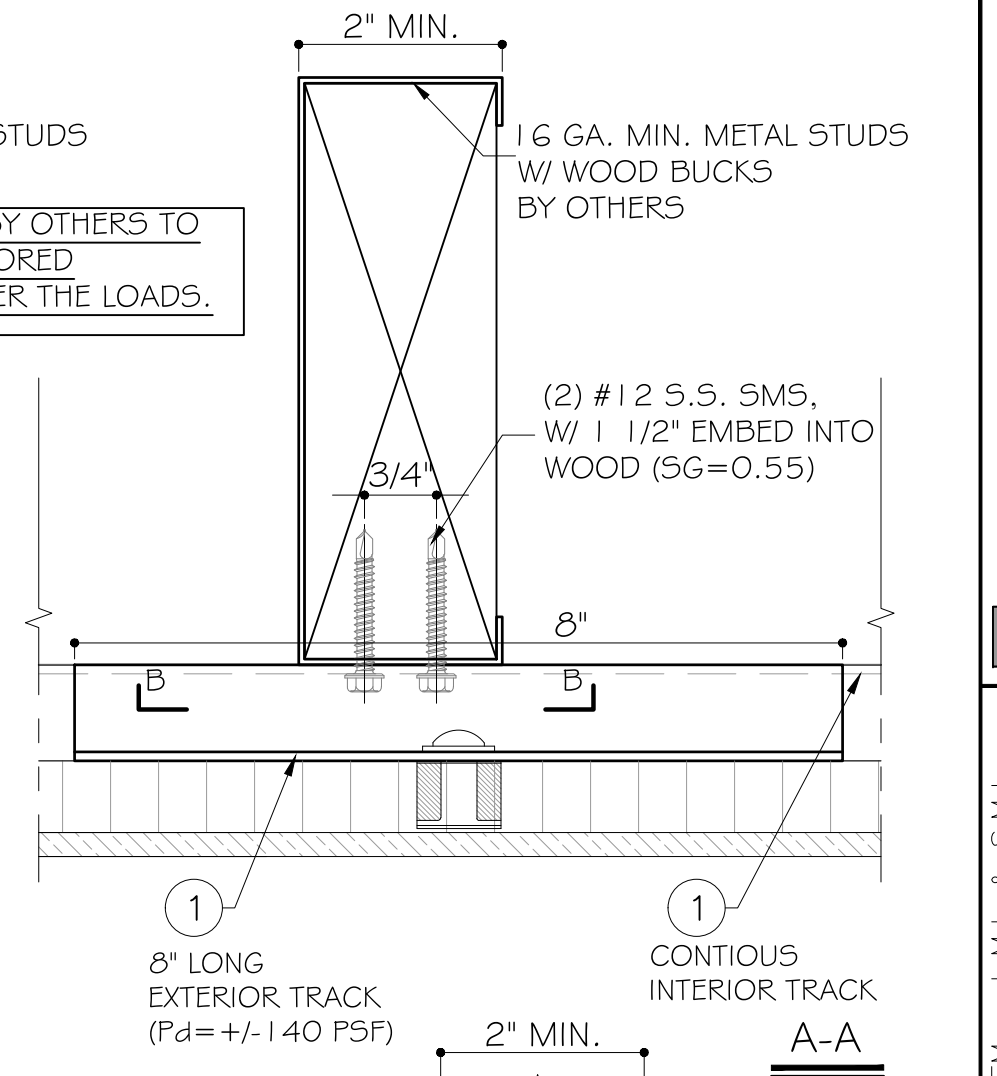
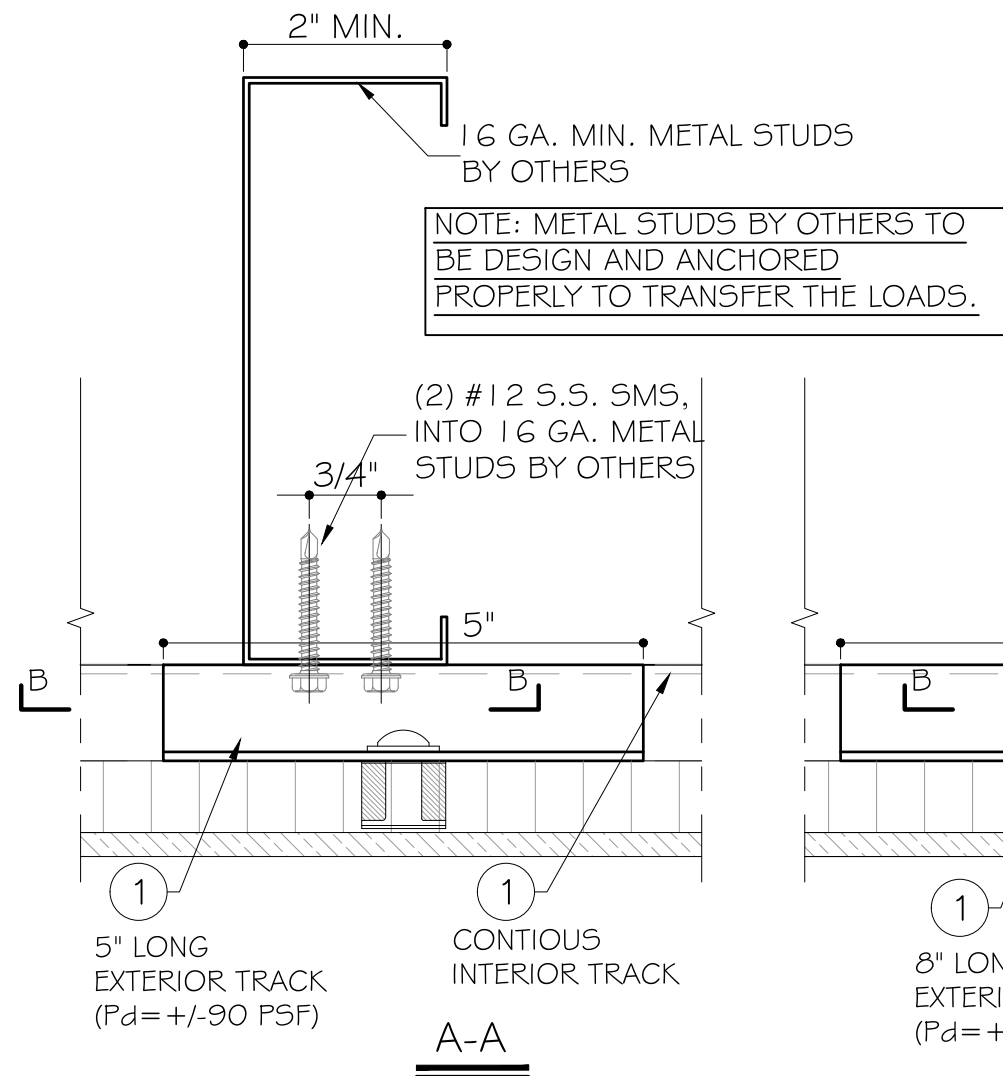
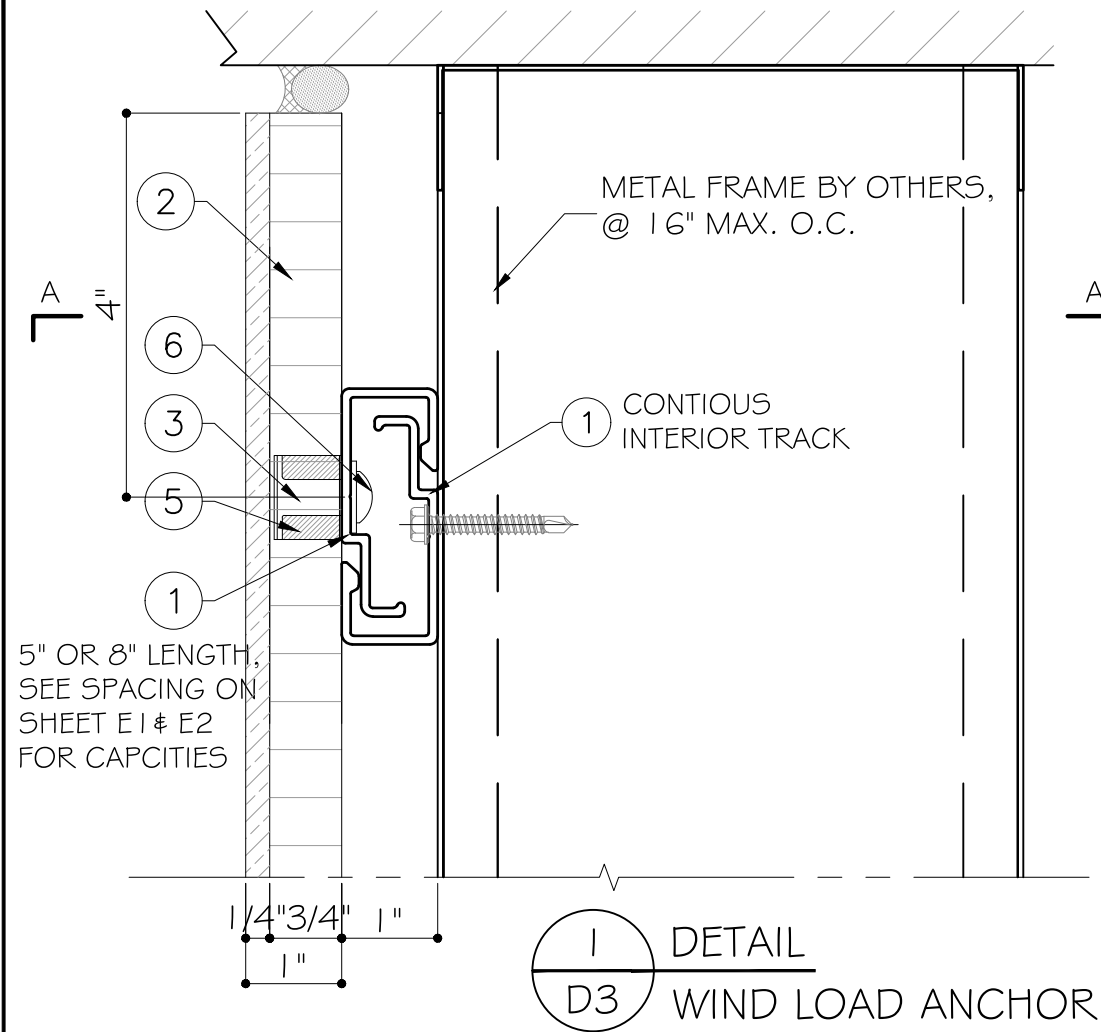
PANELS SYSTEM - L.M.I. & S.M.I.
FANTASY MARBLE LLC
400 SW 12 AVE BAY 5, POMPANO BEACH, FL 33069
TEL. (954) 788-0433 FAX. (954) 788-0087

Rev. No.	Date	Drawn By	Description

Drawn Date: 10/30/2019 Scale: DRAWING NO. AD19-23

Sheet No. 05 OF 07

INSTALLATIONS AT METAL STUD SYSTEM



FLORIDA APPROVAL:
FL#30785.1

YIPING WANG
YIPING WANG, P.E.
LICENSE REGISTRATION
FL #55983
C.A. #28677

STATE OF FLORIDA
PROFESSIONAL ENGINEER

MCY ENGINEERING, INC.
GLAZING CONSULTANTS
12781 MIRAMAR PARKWAY #301
MIRAMAR, FL. 33027 P. 786.360.2786
www.MCYEngineering.com MCY@mcycengineering.com

PANELS SYSTEM - L.M.I. & S.M.I.

FANTASY MARBLE LLC
400 SW 12 AVE BAY 5, POMPANO BEACH, FL 33069
TEL. (954) 788-0433 FAX. (954) 788-0087

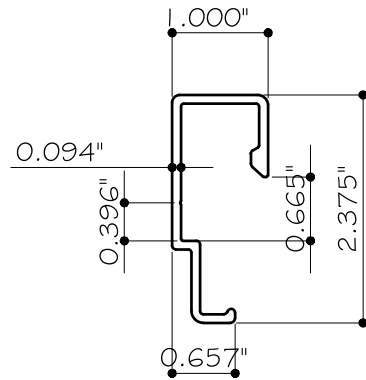
Rev. No.	Date	Drawn By	Description

Drawn Date: 10/30/2019 Scale: DRAWING NO. AD19-23

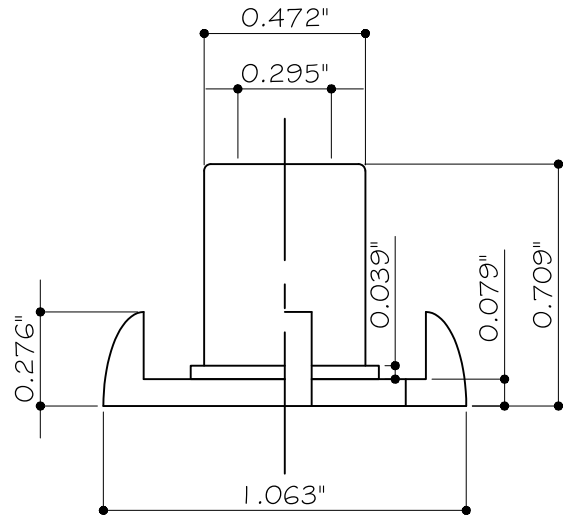
Sheet No. D3 06 OF 07

BILL OF MATERIALS

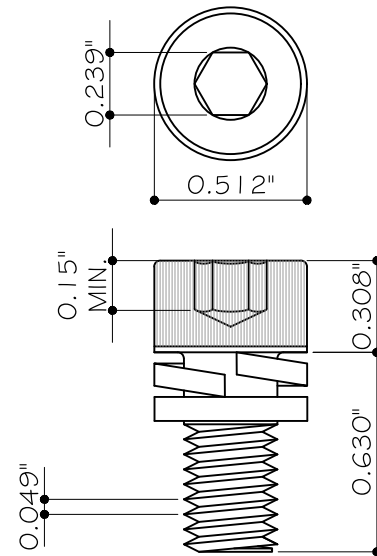
ITEM	PART	DESCRIPTION	MATERIAL	REMARKS
1		ALUMINUM TRACK	ALUM. 6061-T6 or 6005-T5	
2		NATURAL STONE PANEL, 118" X 56", (COMBINATION OF ITEM 7&8)	MARBLE	FANTASY MARBLE
3		TEE-NUT WITH 1/4" - 20 FEMALE THREAD FULLY BONDED INTO 7/8" HOLES SET IN HONEYCOMB PANEL	STAINLESS STEEL	
4		DOWSIL 795		DOWSIL™
5		EPOXY RESIN ADHESIVE	2 TO 1 ACTIVATOR (STD. RESIN/LAMINATING RESIN) HARDNESS=80 TO 82/ 75 TO 80 SHORE D TENSILE LAP SHEAR >2900 PSI/2700PSI ULTIMATE ELONGATION >5% / 8%	FIBER GLASS COATINGS INC.
6		TRUSS-HEAD 1/4" - 20 X 5/8" LG MACHINE SCREW WITH NEOPRENE WASHER SECURED INTO TEE-NUT	STAINLESS STEEL	
7		1/4" THK. MARBLE	SOLID WEIGHT 2711 KG/M ³ (169.23 Lbs/FT ³), AT 25.2 °C (77.36°F) AT STANDARD ATMOSPHERIC PRESSURE	
8		3/4" THK. HONEYCOMB	1 MM FRP (POLYESTER RESIN (DENSITY=1.48 KG/M ³ , TENSILE STRENGTH = 150MPa, HARDNESS=50 BARCOL) HONEY COMB CORE WITH ALUM. FOIL ALLOY 3004, COMPRE. STRENGTH>3.0 MPa, CORE SIZE=4MM, CORE DENSITY=105KG/M ³ BACK ALUM. SHEET - 1.0 MM ALUM. ALLOY 3003, TENSILE STRENGTH>= 128 N/MM ² , ELONGATION>=7%, THERMAL EXPANSION=2.4MM/M / 100 °C	CHANGZHOU FLORES DECORATION MATERIAL CO.,LTD



1 ALUMINUM TRACK
ALUM. 6061-T6 or 6005-T5



3 TEE-NUT
STAINLESS STEEL



6 MACHINE SCREW
STAINLESS STEEL

FLORIDA APPROVAL:
FL#30785.1

YIPING WANG
YIPING WANG, P.E.
LICENSE REGISTRATION
FL #55983
C.A. #28677

STATE OF
FLORIDA
PROFESSIONAL ENGINEER

MCY ENGINEERING, INC.
GLAZING CONSULTANTS

12781 MIRAMAR PARKWAY #301
MIRAMAR, FL 33027 P: 786.360.2786
www.MCYEngineering.com MCY@mcyengineering.com

PANELS SYSTEM - L.M.I. & S.M.I.
FANTASY MARBLE LLC
400 SW 12 AVE BAY 5, POMPANO BEACH, FL 33069
TEL. (954) 788-0433 FAX. (954) 788-0087

Rev. No.	Date	Drawn By	Description

Drawn Date 10/30/2019	Scale
DRAWING NO. AD19-23	
BOM	
Sheet No. 07 OF 07	